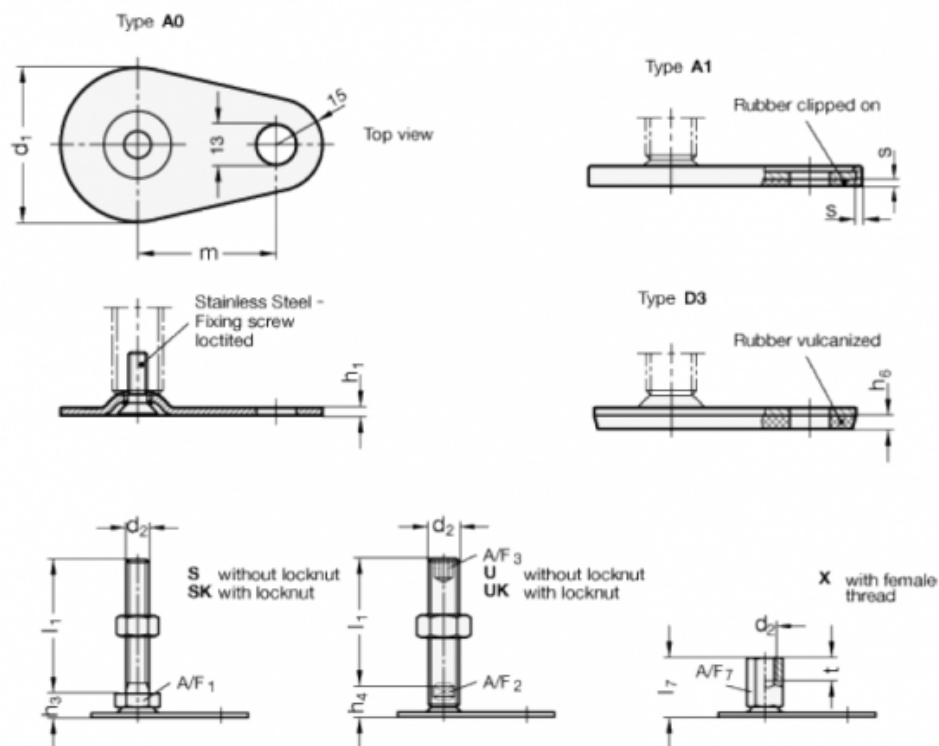


Article number: 204260M12125A0SK
 Description: E+G levelling foot
 GN 42-60-M12-125-A0-SK
 Note: SK With nut, External hexagon at the bottom

Measures



A/F1 = 17
 d_1 = 60
 d_2 = M12
 h_1 = 2.5
 h_3 = 11
 h_6 =
 h_1 = 125
 m = 50

s =